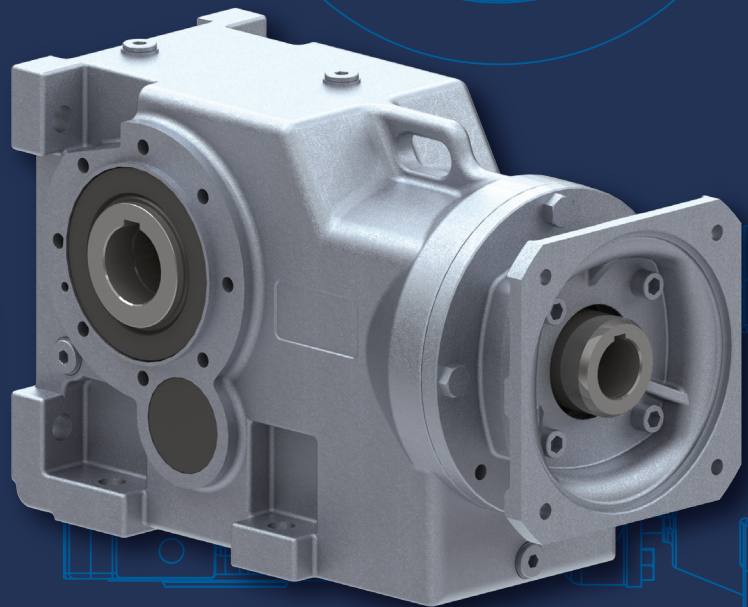
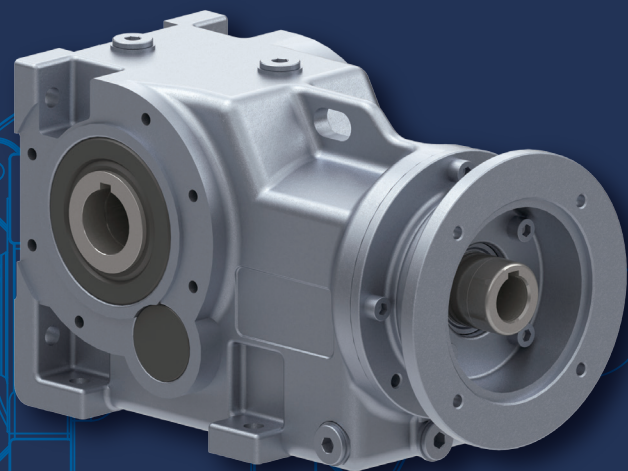
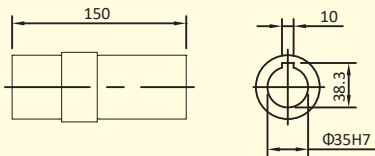
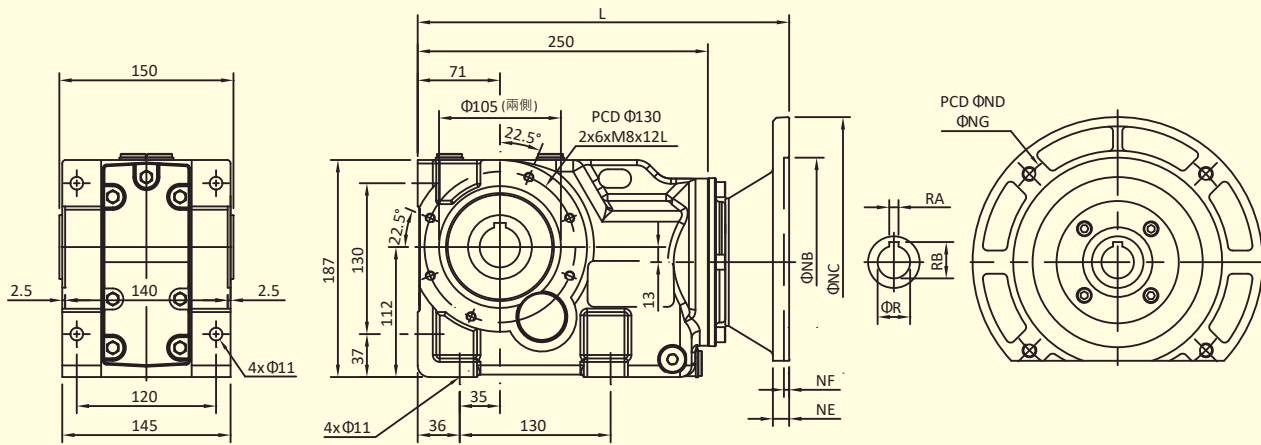


**RK**



斜齒輪/傘齒輪減速機  
**Helical / Bevel Gear Reducer**

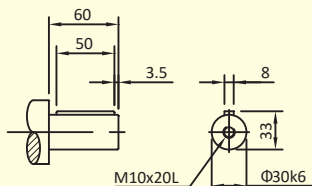
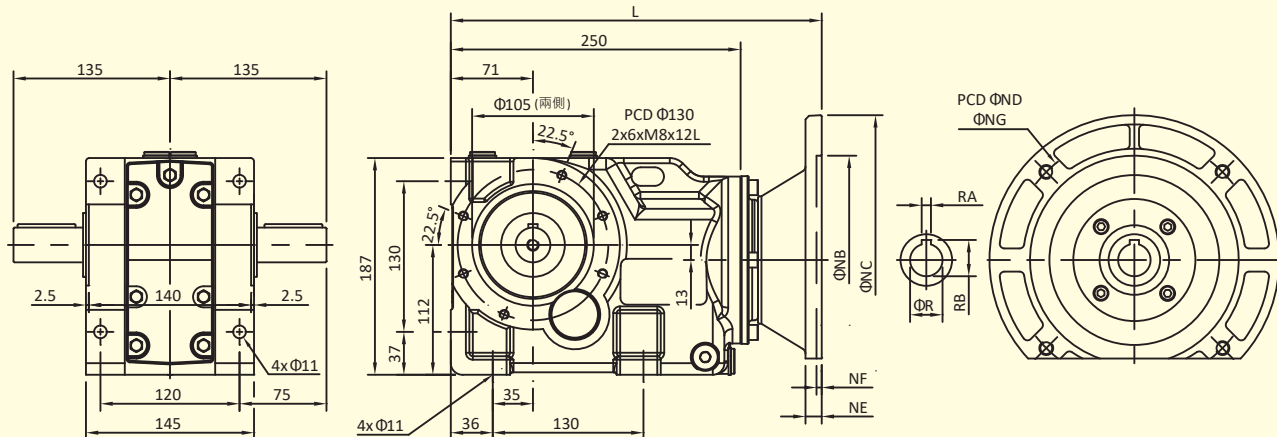
# 機型 / TYPE : RKA04



中空出力軸

| 功率<br>kw          | IEC框號<br>Frame | R  | RA | RB | NB   | NC  | ND  | NE  | NF   | NG  | L   |     |
|-------------------|----------------|----|----|----|------|-----|-----|-----|------|-----|-----|-----|
| 0.18kW<br>(1/4HP) | D67            | B5 | 11 | 4  | 12.8 | 110 | 160 | 160 | 10.5 | 4   | MB  | 305 |
| 0.37kW<br>(1/2HP) | D71            | B5 | 14 | 5  | 16.3 | 110 | 160 | 160 | 10.5 | 4   | MB  | 305 |
| 0.75kW<br>(1HP)   | D80            | B5 | 19 | 6  | 21.8 | 130 | 200 | 200 | 14   | 4   | M10 | 305 |
| 1.5kW<br>(2HP)    | D90            | B5 | 24 | 8  | 27.1 | 130 | 200 | 200 | 14   | 4   | M10 | 305 |
| 2.2kW<br>(3HP)    | D100           | B5 | 28 | 8  | 31.3 | 180 | 250 | 250 | 14   | 4.5 | M12 | 320 |
| 3.7kW<br>(5HP)    | D112           | B5 | 28 | 8  | 31.3 | 180 | 250 | 250 | 14   | 4.5 | M12 | 320 |

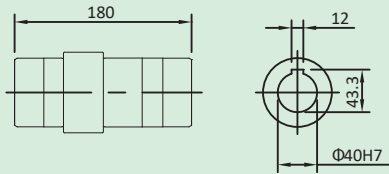
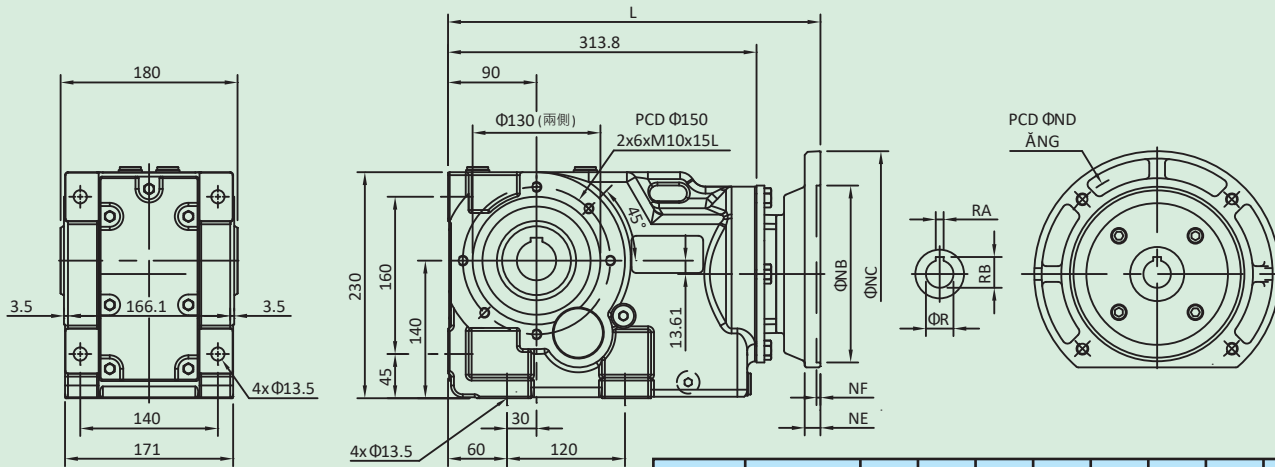
# 機型 / TYPE : RKS04



實心出力軸

| 功率<br>kw          | IEC框號<br>Frame | R  | RA | RB | NB   | NC  | ND  | NE  | NF   | NG  | L   |     |
|-------------------|----------------|----|----|----|------|-----|-----|-----|------|-----|-----|-----|
| 0.18kW<br>(1/4HP) | D67            | B5 | 11 | 4  | 12.8 | 110 | 160 | 130 | 10.5 | 4   | MB  | 305 |
| 0.37kW<br>(1/2HP) | D71            | B5 | 14 | 5  | 16.3 | 110 | 160 | 130 | 10.5 | 4   | MB  | 305 |
| 0.75kW<br>(1HP)   | D80            | B5 | 19 | 6  | 21.8 | 130 | 200 | 165 | 14   | 4   | M10 | 305 |
| 1.5kW<br>(2HP)    | D90            | B5 | 24 | 8  | 27.1 | 130 | 200 | 165 | 14   | 4   | M10 | 305 |
| 2.2kW<br>(3HP)    | D100           | B5 | 28 | 8  | 31.3 | 180 | 250 | 215 | 14   | 4.5 | M12 | 320 |
| 3.7kW<br>(5HP)    | D112           | B5 | 28 | 8  | 31.3 | 180 | 250 | 215 | 14   | 4.5 | M12 | 320 |

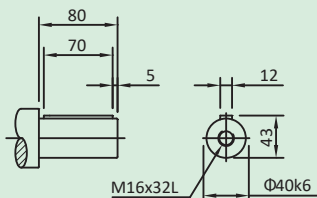
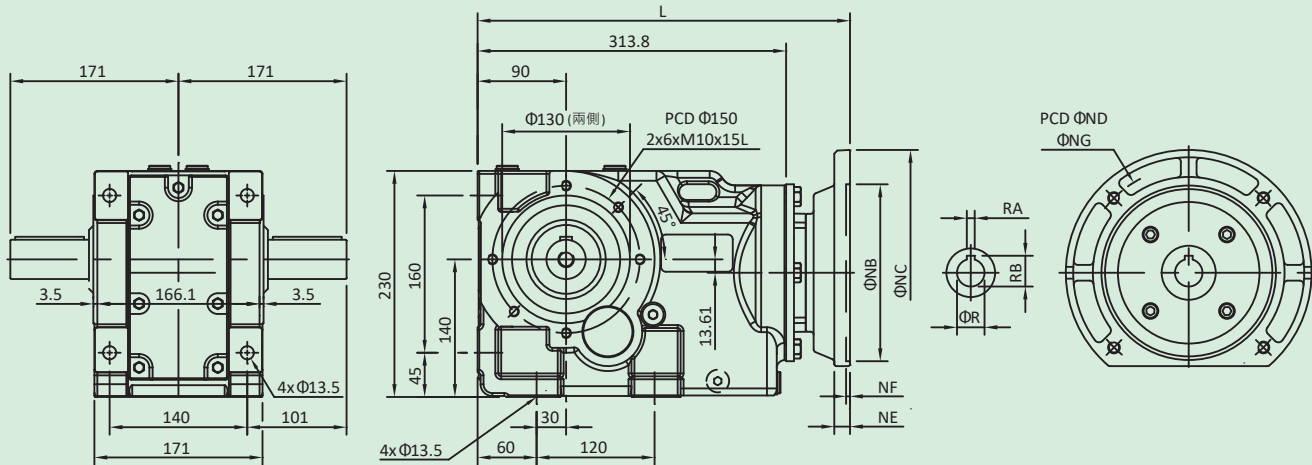
# 機型 / TYPE : RKA06



中空出力軸

| 功率<br>kw         | IEC框號<br>Frame | R  | RA | RB | NB   | NC  | ND  | NE  | NF | NG  | L   |     |
|------------------|----------------|----|----|----|------|-----|-----|-----|----|-----|-----|-----|
| 0.75kW<br>(1HP)  | D80            | B5 | 19 | 6  | 21.8 | 130 | 200 | 165 | 12 | 4   | M10 | 379 |
| 1.5kW<br>(2HP)   | D90            | B5 | 24 | 8  | 27.1 | 130 | 200 | 165 | 12 | 4   | M10 | 379 |
| 2.2kW<br>(3HP)   | D100           | B5 | 28 | 8  | 31.3 | 180 | 250 | 215 | 16 | 4.5 | M12 | 379 |
| 3.7kW<br>(5HP)   | D112           | B5 | 28 | 8  | 31.3 | 180 | 250 | 215 | 16 | 4.5 | M12 | 379 |
| 5.5kW<br>(7.5HP) | D132           | B5 | 38 | 10 | 41.3 | 230 | 300 | 265 | 20 | 4.5 | M12 | 399 |

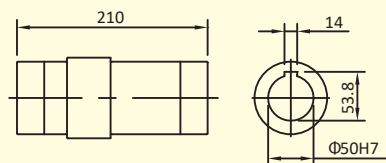
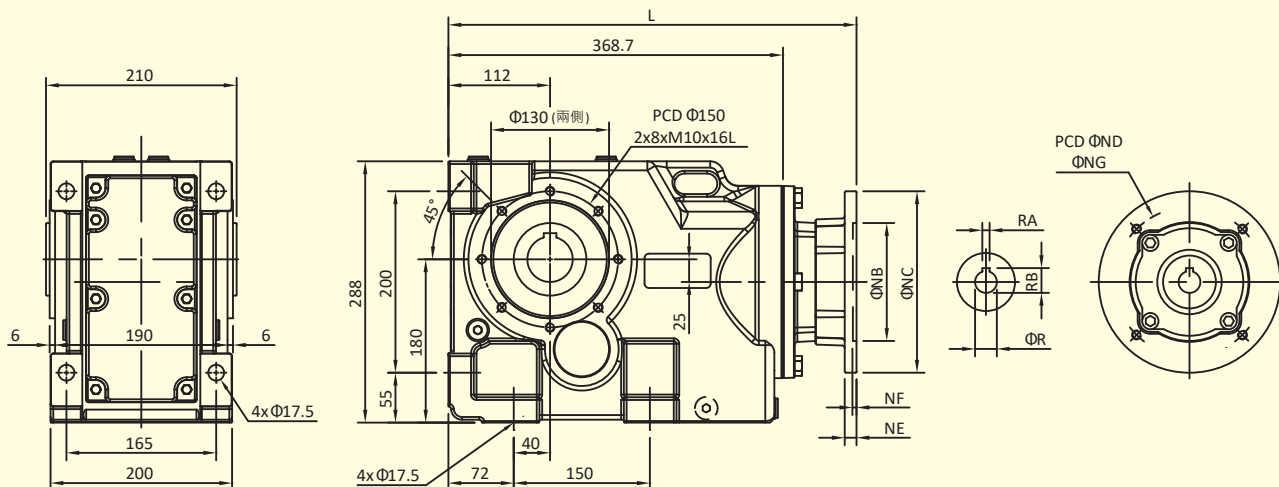
# 機型 / TYPE : RKS06



實心出力軸

| 功率<br>kw         | IEC框號<br>Frame | R  | RA | RB | NB   | NC  | ND  | NE  | NF | NG  | L   |     |
|------------------|----------------|----|----|----|------|-----|-----|-----|----|-----|-----|-----|
| 0.75kW<br>(1HP)  | D80            | B5 | 19 | 6  | 21.8 | 130 | 200 | 165 | 12 | 4   | M10 | 379 |
| 1.5kW<br>(2HP)   | D90            | B5 | 24 | 8  | 27.1 | 130 | 200 | 165 | 12 | 4   | M10 | 379 |
| 2.2kW<br>(3HP)   | D100           | B5 | 28 | 8  | 31.3 | 180 | 250 | 215 | 16 | 4.5 | M12 | 379 |
| 3.7kW<br>(5HP)   | D112           | B5 | 28 | 8  | 31.3 | 180 | 250 | 215 | 16 | 4.5 | M12 | 379 |
| 5.5kW<br>(7.5HP) | D132           | B5 | 38 | 10 | 41.3 | 230 | 300 | 265 | 20 | 4.5 | M12 | 399 |

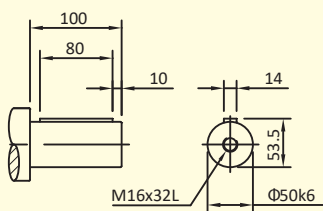
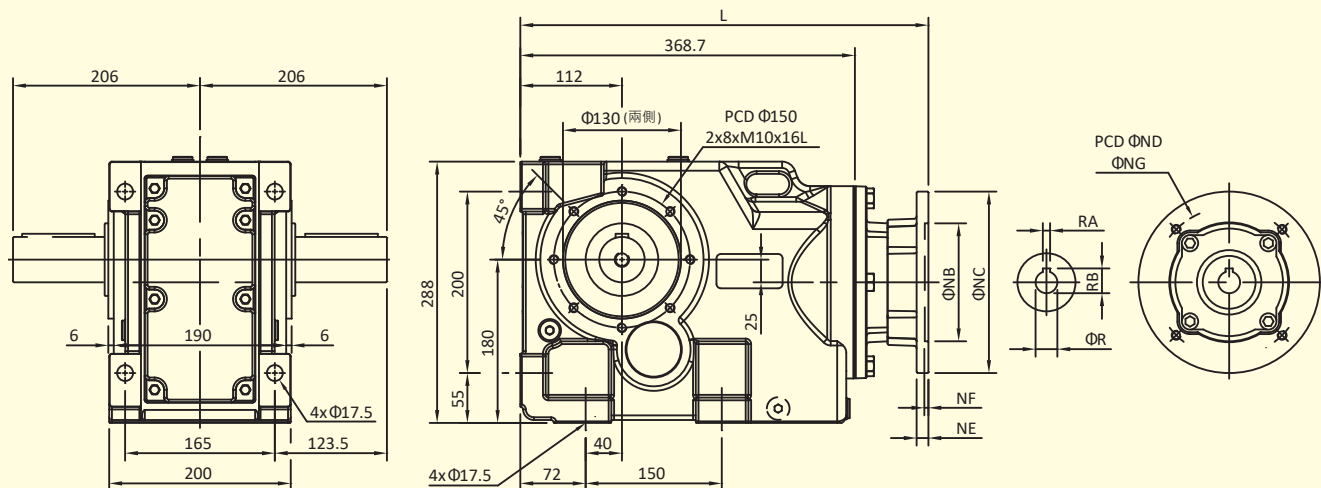
# 機型 / TYPE : RKA07



中空出力軸

| 功率<br>kw         | IEC框號<br>Frame | R  | RA | RB   | NB  | NC  | ND  | NE | NF  | NG  | L   |
|------------------|----------------|----|----|------|-----|-----|-----|----|-----|-----|-----|
| 1.5kW<br>(2HP)   | D90 B5         | 24 | 8  | 27.1 | 130 | 200 | 165 | 13 | 4   | M10 | 450 |
| 2.2kW<br>(3HP)   | D100 B5        | 28 | 8  | 31.3 | 180 | 250 | 215 | 17 | 4.5 | M12 | 450 |
| 3.7kW<br>(5HP)   | D112 B5        | 28 | 8  | 31.3 | 180 | 250 | 215 | 17 | 4.5 | M12 | 450 |
| 5.5kW<br>(7.5HP) | D132 B5        | 38 | 10 | 41.3 | 230 | 300 | 265 | 17 | 4.5 | M12 | 455 |

# 機型 / TYPE : RKS07



實心出力軸

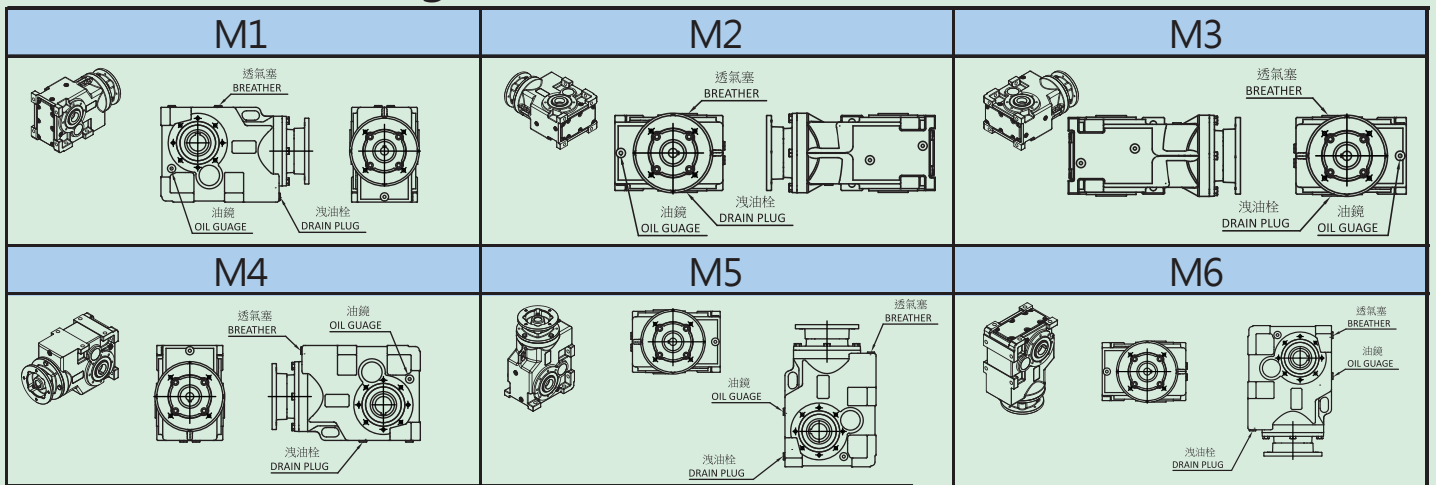
| 功率<br>kw         | IEC框號<br>Frame | R  | RA | RB   | NB  | NC  | ND  | NE | NF  | NG  | L   |
|------------------|----------------|----|----|------|-----|-----|-----|----|-----|-----|-----|
| 1.5kW<br>(2HP)   | D90 B5         | 24 | 8  | 27.1 | 130 | 200 | 165 | 13 | 4   | M10 | 450 |
| 2.2kW<br>(3HP)   | D100 B5        | 28 | 8  | 31.3 | 180 | 250 | 215 | 17 | 4.5 | M12 | 450 |
| 3.7kW<br>(5HP)   | D112 B5        | 28 | 8  | 31.3 | 180 | 250 | 215 | 17 | 4.5 | M12 | 450 |
| 5.5kW<br>(7.5HP) | D112 B5        | 38 | 10 | 41.3 | 230 | 300 | 265 | 17 | 4.5 | M12 | 455 |



## 訂購說明 How to Order:

| 機型<br>Type | 規格<br>Size     | 入力形式<br>Input type | 安裝方向<br>Mounting position | 減速比<br>Ratio |
|------------|----------------|--------------------|---------------------------|--------------|
| RKA<br>RKS | 04<br>06<br>07 | D063 (0.18kW)      | M1                        | 11.0         |
|            |                | D071 (0.37kW)      | M2                        | 12.0         |
|            |                | D080 (0.75kW)      | M3                        | 13.0         |
|            |                | D090 (1.50kW)      | M4                        | 14.0         |
|            |                | D100 (2.20kW)      | M5                        | 15.0         |
|            |                | D112 (3.70kW)      | M6                        | 16.0         |
|            |                | .....              |                           | ....         |

## 安裝方式 Mounting Position



## 潤滑油 Lubricant

| 潤滑油廠牌<br>Manufacturer | 工作溫度<br>-5°C to 25°C | 工作溫度<br>0°C to 40°C | 工作溫度<br>0°C to 50°C |
|-----------------------|----------------------|---------------------|---------------------|
| 中國石油CPC               | HD-220               | HD-320              | HD-460              |
| MOBIL                 | Mobilgear 630        | Mobilgear 632       | Mobilgear 634       |
| SHELL                 | Omala HD220          | Omala HD320         | Omala HD460         |
| Exxon                 | EP220                | EP320               | EP460               |

## 油量表 Oil Capacity

| 安裝位置<br>Mounting<br>Position | 油量 Oil Capacities(L) |      |      |
|------------------------------|----------------------|------|------|
|                              | RK04                 | RK06 | RK07 |
| M1                           | 1.00                 | 1.72 | 3.49 |
| M2                           | 1.30                 | 2.81 | 5.80 |
| M3                           | 1.30                 | 2.81 | 5.80 |
| M4                           | 1.72                 | 3.31 | 6.80 |
| M5                           | 2.22                 | 4.20 | 8.69 |
| M6                           | 1.30                 | 2.90 | 5.80 |

# GONGJI

台灣工機廠股份有限公司  
桃園市蘆竹區內溪路39巷15弄1號

TAIWAN GONG JI CHANG CO., LTD.

No. 1, Alley. 15, Ln. 39, Neixi Rd.

Luzhu, Taoyuan, Taiwan 338

T : +886-3-3241000

F : +886-3-3245566

E : info@gongjdrive.com

www.gongjdrive.com

All Rights Reserved RK.202008.B.1000