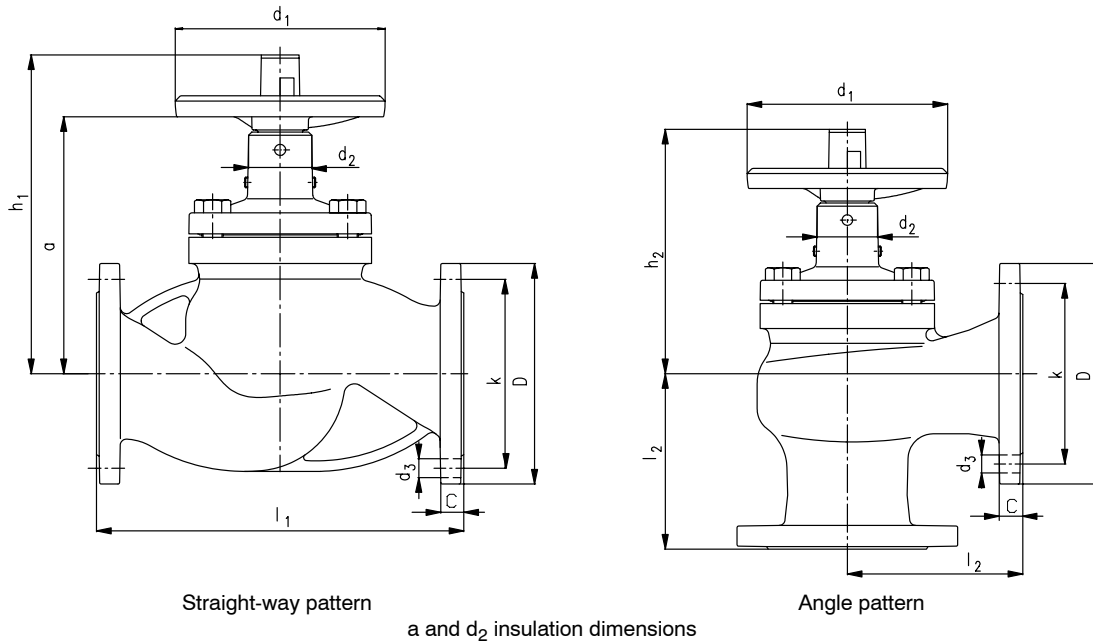
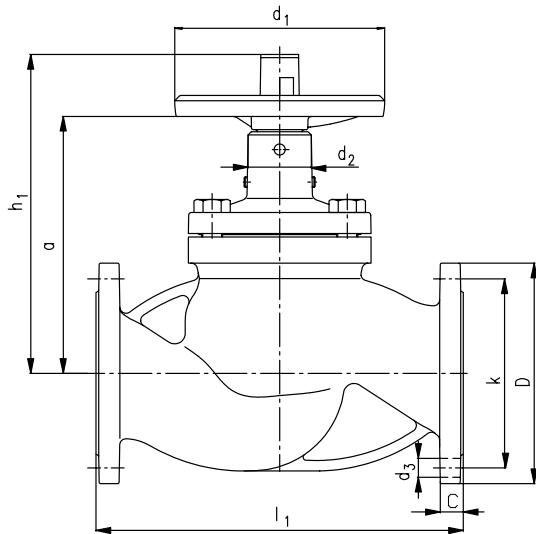


**Dimensions PN 16**

**Dimensions (mm)**
**Weight approx.**

PN	DN	l <sub>1</sub>	l <sub>2</sub>	h <sub>1</sub>	h <sub>2</sub>	d <sub>1</sub>	d <sub>2</sub>	a	D	k	n x d <sub>3</sub>	C	Straight-way pattern	Angle pattern
													kg	kg
16 JL1040	15	130	90	175	150	125	47	137	95	65	4 x 14	14	3,1	3.2
	20	150	95	178	153	125	47	140	105	75	4 x 14	16	4.0	4.0
	25	160	100	184	151	125	47	146	115	85	4 x 14	16	4.7	4.8
	32	180	105	205	170	125	47	161	140	100	4 x 19	18	7.3	7.5
	40	200	115	210	172	125	47	166	150	110	4 x 19	18	7.7	7.7
	50	230	125	235	198	160	51	190	165	125	4 x 19	20	10.2	9.6
	65	290	145	246	198	160	51	201	185	145	4 x 19	20	17.0	16.3
	80	310	155	282	226	200	60	223	200	160	8 x 19	22	22.0	21.8
	100	350	175	304	244	200	60	245	220	180	8 x 19	24	32.0	30.8
	125	400	200	390	316	250	80	310	250	210	8 x 19	26	54.0	48.3
	150	480	225	408	320	250	80	328	285	240	8 x 23	26	70.5	65.7
	200	600	275	570	468	400	93	440	340	295	12 x 23	30	130.0	114.2
250	730	325	606	480	400	93	476	405	355	12 x 28	32	230.0	180.5	
300	850	375	660	510	400	93	530	460	410	12 x 28	32	328.0	267.5	
16 JS1025	15	130	-	175	-	125	47	137	95	65	4 x 14	14	3.1	-
	20	150	-	178	-	125	47	140	105	75	4 x 14	16	4.1	-
	25	160	-	184	-	125	47	146	115	85	4 x 14	16	4.6	-
	32	180	-	205	-	125	47	161	140	100	4 x 19	18	8.1	-
	40	200	-	210	-	125	47	166	150	110	4 x 19	18	8.5	-
	50	230	-	235	-	160	51	190	165	125	4 x 19	20	11.0	-
	65	290	-	246	-	160	51	201	185	145	4 x 19	20	17.0	-
	80	310	-	282	-	200	60	223	200	160	8 x 19	22	21.0	-
	100	350	-	304	-	200	60	245	220	180	8 x 19	24	31.0	-
	125	400	-	390	-	250	80	310	250	210	8 x 19	26	51.0	-
	150	480	-	408	-	250	80	328	285	240	8 x 23	26	68.5	-
	200	600	-	570	-	400	93	440	340	295	12 x 23	30	139.0	-
250	730	-	606	-	400	93	476	405	355	12 x 28	32	239.0	-	
300	850	-	660	-	400	93	530	460	410	12 x 28	32	343.0	-	
350	980	-	660	-	400	93	530	520	470	16 x 28	36	390.0	-	

**Dimensions PN 25**

 a and d<sub>2</sub> insulation dimensions

Dimensions (mm)											Weight approx.
PN	DN	l <sub>1</sub>	h <sub>1</sub>	d <sub>1</sub>	d <sub>2</sub>	a	D	k	n x d <sub>3</sub>	C	Straight-way pattern kg
25 JS1025	15	130	175	125	47	137	95	65	4 x 14	14	3.1
	20	150	178	125	47	140	105	75	4 x 14	16	4.1
	25	160	184	125	47	146	115	85	4 x 14	16	4.6
	32	180	205	125	47	161	140	100	4 x 19	18	8.2
	40	200	210	125	47	166	150	110	4 x 19	18	8.5
	50	230	235	160	51	190	165	125	4 x 19	20	11.0
	65	290	246	160	51	201	185	145	8 x 19	20	17.0
	80	310	282	200	60	223	200	160	8 x 19	22	28.9
	100	350	304	200	60	245	235	190	8 x 23	24	40.0
	125	400	390	250	80	310	270	220	8 x 28	26	65.0
150	480	408	250	80	328	300	250	8 x 28	26	89.0	

**Installation instructions**

The flow direction in BOA<sup>®</sup>-H shut-off globe valves should correspond to the embossed arrow on the body. An alternating flow direction is permissible for the standard cone, but not for the throttle cone. If with standard disc valves from DN 200 onwards the differential pressures specified below are exceeded, a pressure relief disc is required. The pressure relief disc is effective only if pressure builds up at the outlet end.

Valves with throttle cones can only be used up to these differential pressures.

	DN	150	200	250	300/350
PN 16	Δp bar	-	12	9	6
PN 25		21			

**Connection dimensions - Standards:**

Flanges: DIN EN 1092-2, type of flange 21 - JL1040  
type of flange 21-21 - JS1025

Raised face: DIN EN 1092-2, type B

**Face-to-face dimension**

Straight-way pattern: EN 558-1/1 (previously: DIN 3202/F 1)  
ISO 5752/1

Angle pattern: EN 558-1/8 (previously: DIN 3202/F 32)  
ISO 5752/8