

**FUKUTA®**

FUKUTA ELEC. & MACH. CO., LTD.

Innovation  
Sincerity  
Credibility



**SW** series

LIQUID COOLING SERVO MOTOR

液冷式伺服馬達



# SW-112 S.F.:1.2

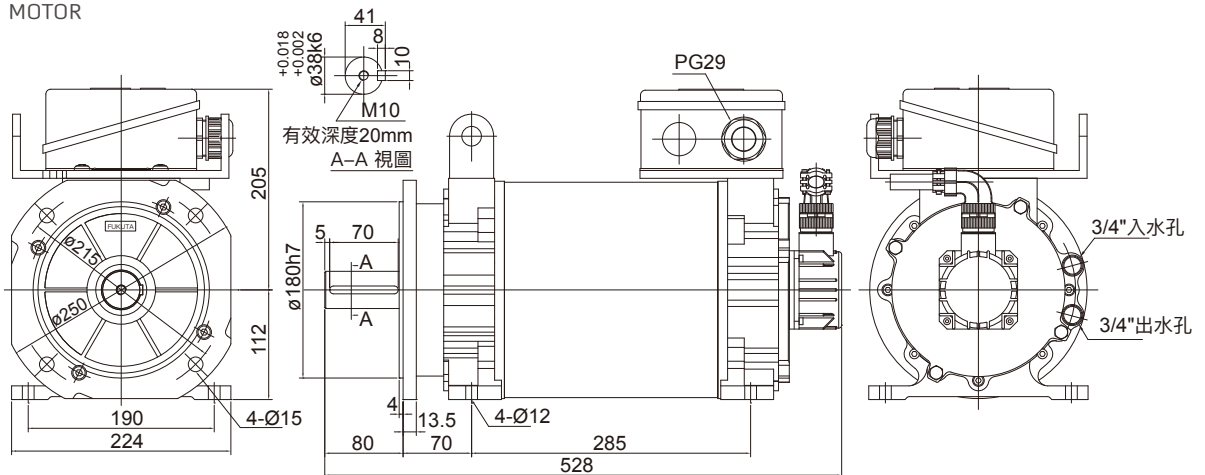
## 液冷式伺服馬達

LIQUID COOLING SERVO MOTOR **SW-112L / SW-112XA / SW-112XB**

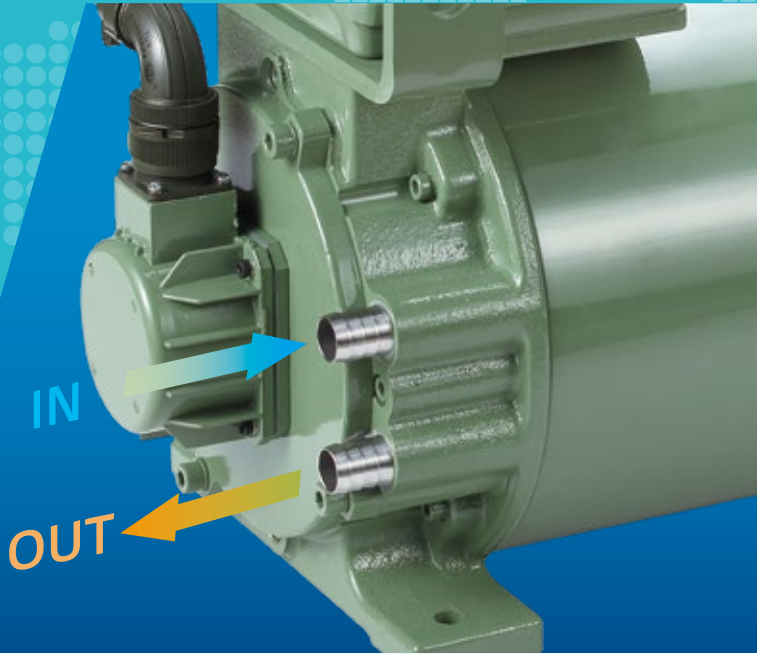
框號 Fr. No.	額定轉速	最大轉矩	額定轉矩	額定輸出	額定電流				額定頻率	轉動慣量
	Rated Speed	Max. Torque	Rated Torque	Rated Output	Rated Current				Rated Frequency	Rotor Inertial
	RPM	kg-m	kg-m	kw	190V	220V	330V	380V	Hz	Kg-m <sup>2</sup>
112L	1500	10.02	3.58	5.5	22.6	19.6	13.0	11.3	52.1	0.0153
	2000	10.25	3.66	7.5	28.0	25.2	16.2	14.6	69.0	
	3000	9.11	3.25	10.0	38.0	33.0	22.0	19.1	102.1	
	4000	8.2	2.93	12.0	45.1	39.1	26.0	22.6	135.5	
112XA	1500	14.8	5.3	8.2	32.3	27.9	18.7	16.1	52.0	0.0212
	2000	15.02	5.37	11.0	41.2	39.0	23.8	22.5	69.0	
	3000	13.3	4.7	15.0	57.9	50.4	33.4	29.1	102.0	
	4000	10.8	3.8	16.5	62.5	54.0	36.1	32.1	133.3	
112XB	1500	20.37	7.27	11.0	43.6	37.9	25.2	21.9	52.4	0.0282
	2000	20.48	7.31	15.0	55.5	48.5	32.0	28.0	69.0	
	3000	18.1	6.5	20.0	77.6	67.0	44.8	38.7	102.2	
	4000	17.1	6.1	25.0	93.2	80.5	53.8	46.5	133.3	

### SW-112L

FUKUTA SERVO MOTOR



# LIQUID COOLING SERVO MOTOR

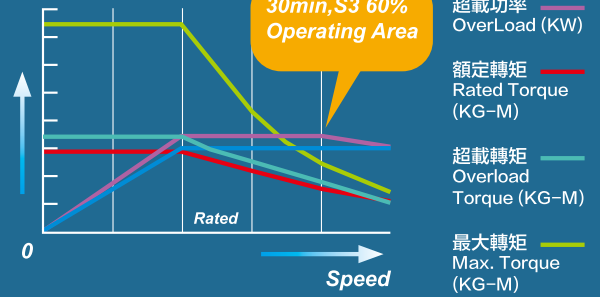


## 馬達冷卻條件 Motor Cooling Conditions:

冷卻型式 Cooling Type	液冷 Liquid
冷卻介質 Cooling Media	車用水箱冷卻液 Car's radiator coolant
冷卻液流量 Coolant Flow	25-35 LPM
冷卻液壓力 Coolant Pressure	10.8 psi
冷卻液入溫 Coolant Temp.	35° C

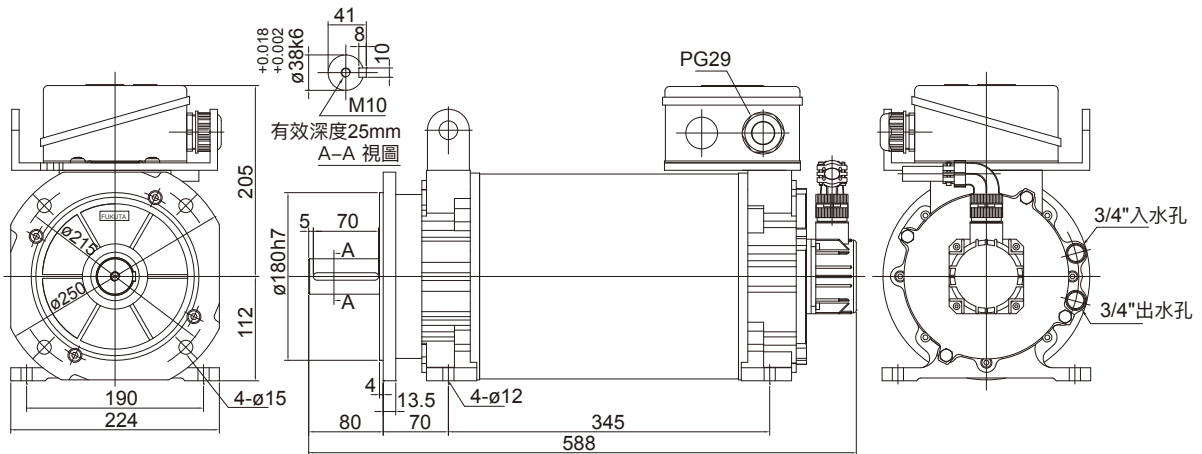
## 特性表 Characteristic Curves

Power / Torque



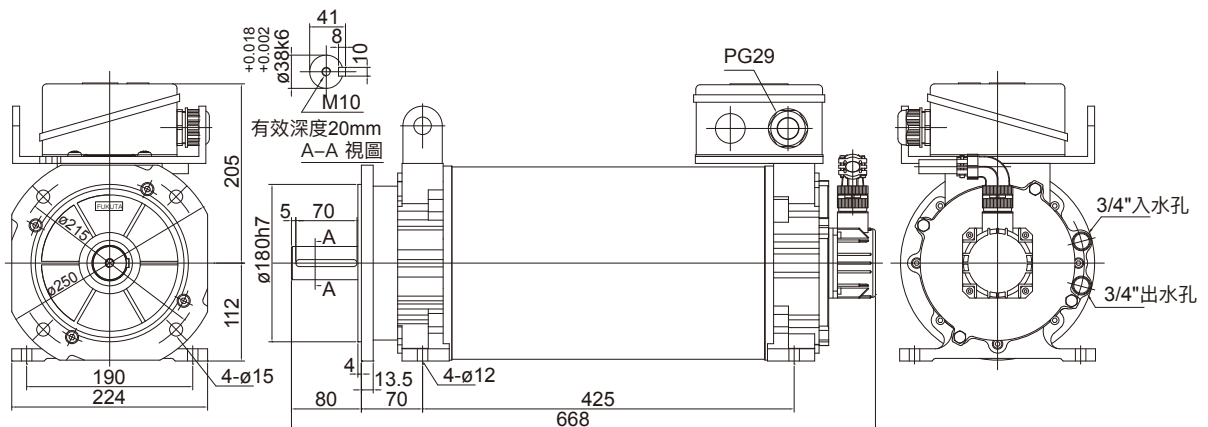
## SW-112XA

FUKUTA SERVO MOTOR



## SW-112XB

FUKUTA SERVO MOTOR



# SW-132 S.F.:1.2

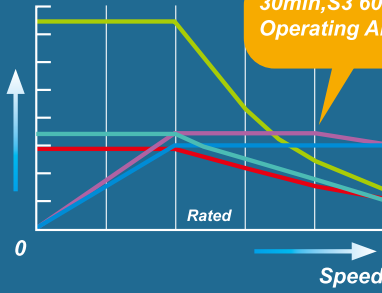
## 液冷式伺服馬達

LIQUID COOLING SERVO MOTOR SW-132MA / SW-132MB / SW-132L / SW-132LA

### 特性表 Characteristic Curves

Power / Torque

30min, S3 60%  
Operating Area

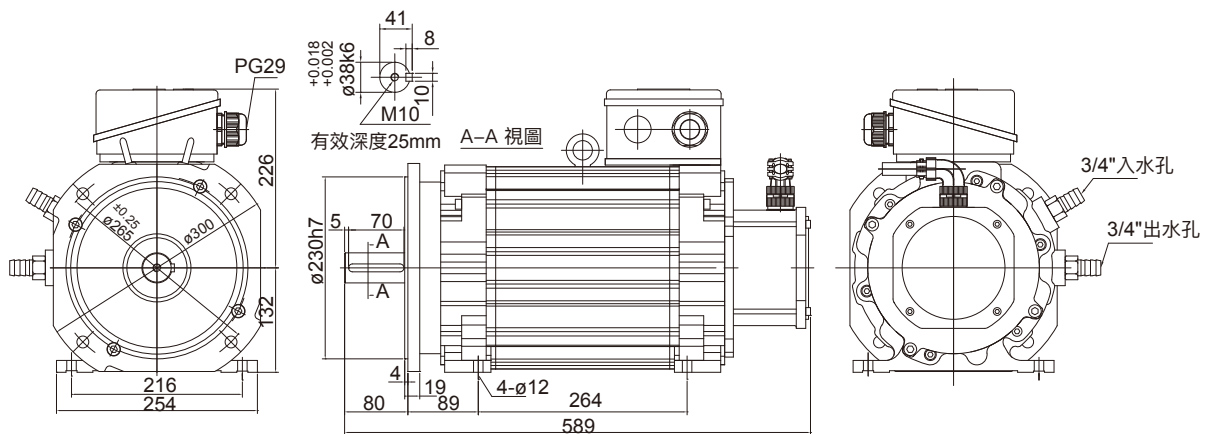


- 輸出功率 Output KW
- 超載功率 OverLoad (KW)
- 額定轉矩 Rated Torque (KG-M)
- 超載轉矩 Overload Torque (KG-M)
- 最大轉矩 Max. Torque (KG-M)

框號 Fr. No.	額定轉速	最大轉矩	額定轉矩	額定輸出	額定電流				額定頻率	轉動慣量
	Rated Speed	Max. Torque	Rated Torque	Rated Output	Rated Current				Rated Frequency	Rotor Inertial
	RPM	kg-m	kg-m	kw	190V	220V	330V	380V	Hz	Kg-m2
132MA	1500	20	7.14	11.0	42.0	36.3	24.3	21.0	51.7	0.404
	2000	20.48	7.31	15.0	54.6	48.3	31.5	27.9	68.7	
	3000	18.21	6.5	20.0	76.9	63.5	44.4	36.6	101.7	
	4000	17.6	6.2	25.0	92.5	79.8	53.4	46.1	133.3	
132MB	1500	25.13	8.97	13.8	52.9	45.2	30.5	26.1	51.6	0.0498
	2000	25.25	9.02	18.5	67.4	60.0	38.9	34.6	68.4	
	3000	23.66	8.45	26.0	98.3	85.1	56.7	47.4	101.7	
	4000	23	8.2	33.3	121.5	104.9	70.1	60.6	133.3	
132L	1500	30.3	10.72	16.5	63.2	54.6	36.5	31.5	51.5	0.608
	2000	30.03	10.72	22.0	80.6	71.1	46.5	41.1	68.2	
	3000	28.2	10.07	31.0	117.6	99.1	67.9	57.2	101.5	
	4000	25.7	9.1	37.4	136.0	117.4	78.5	67.8	133.3	
132LA	1500	40	14.2	22.0	84.6	73.1	48.9	42.2	50.0	0.735
	2000	40.94	14.62	30.0	108.7	103.6	62.8	59.8	68.5	
	3000	37.8	13	40.0	153.8	132.9	88.8	76.7	100.0	
	4000	35.2	12.4	50.0	184.9	159.7	106.8	92.2	133.3	

### SW-132MA

FUKUTA SERVO MOTOR





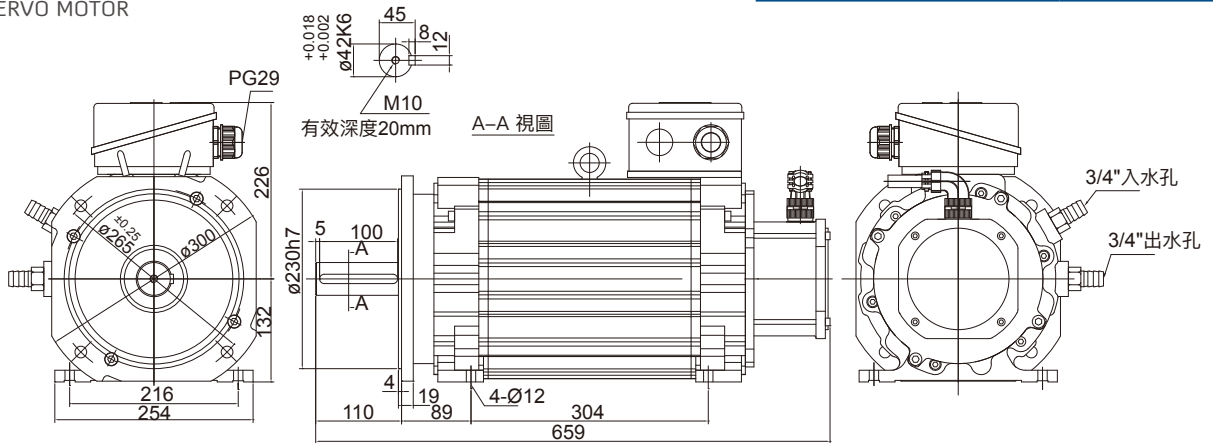
# LIQUID COOLING SERVO MOTOR

## 馬達冷卻條件 Motor Cooling Conditions:

冷卻型式 Cooling Type	液冷 Liquid
冷卻介質 Cooling Media	車用水箱冷卻液 Car's radiator coolant
冷卻液流量 Coolant Flow	25-35 LPM
冷卻液壓力 Coolant Pressure	10.8 psi
冷卻液入溫 Coolant Temp.	35° C

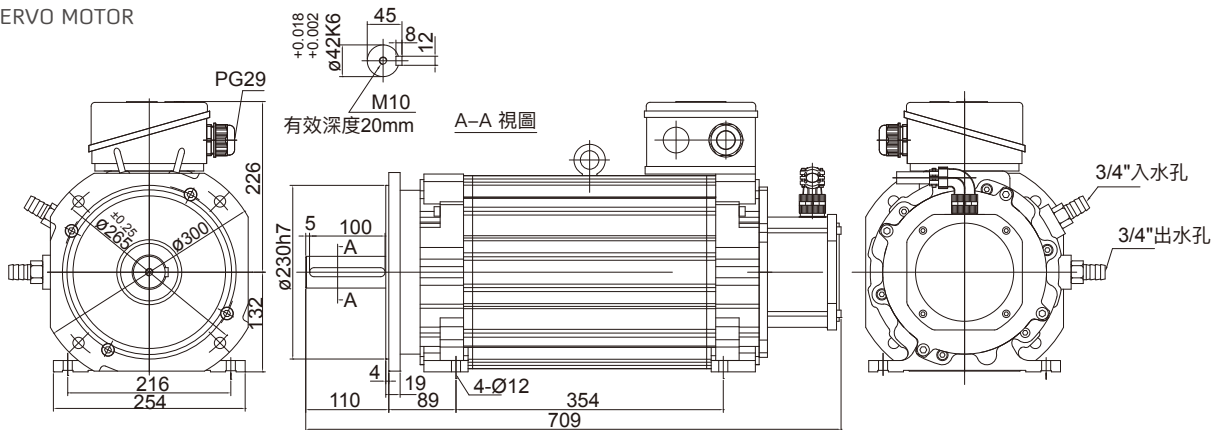
### SW-132MB

FUKUTA SERVO MOTOR



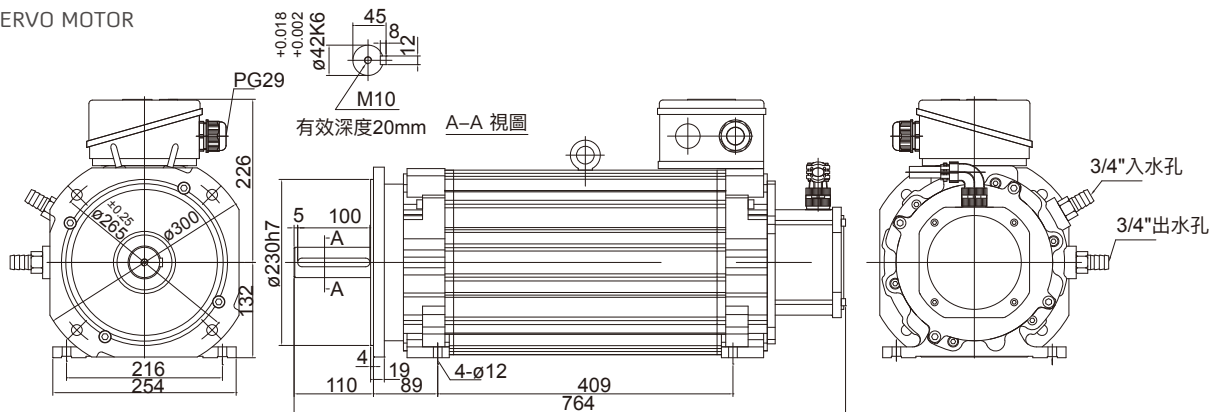
### SW-132L

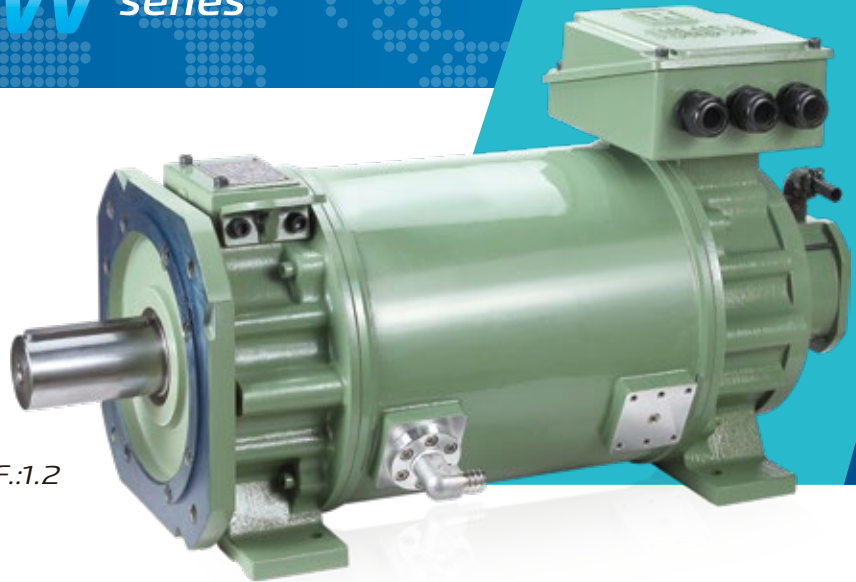
FUKUTA SERVO MOTOR



### SW-132LA

FUKUTA SERVO MOTOR





# SW-180 S.F.:1.2

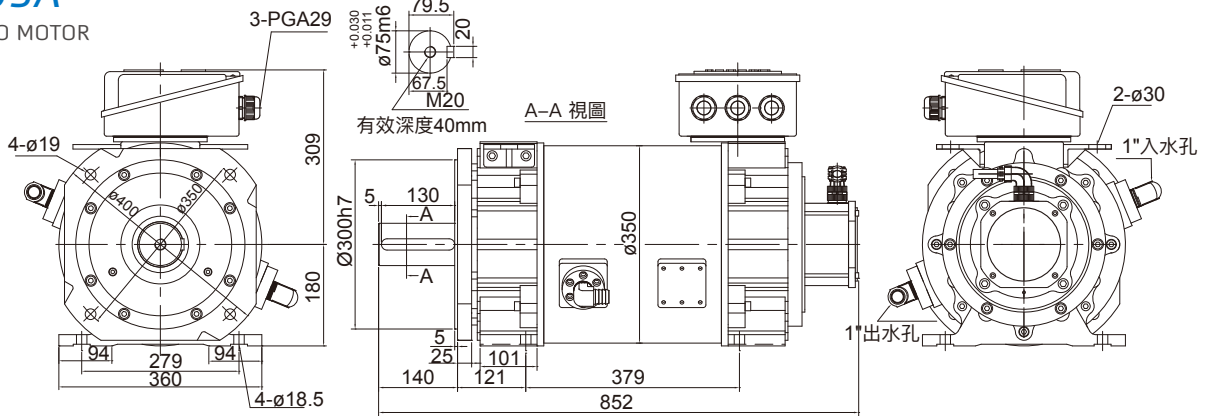
## 液冷式伺服馬達

LIQUID COOLING SERVO MOTOR **SW-180SA / SW-180SB**

框號 Fr. No.	額定轉速	最大轉矩	額定轉矩	額定輸出	額定電流		額定頻率	轉動慣量
	Rated Speed	Max. Torque	Rated Torque	Rated Output	Rated Current		Rated Frequency	Rotor Inertial
	RPM	kg-m	kg-m	kw	220V	380V	Hz	Kg-m2
180SA	500	53.3	21.3	11	43.1	24.9	26.5	0.1759
	1000	53.5	21.4	22	79.7	46.0	51.5	
	1500	48.7	19.5	30	102.5	59.2	76.4	
	2000	54.8	21.9	45	147.2	85.0	101.7	
180SB	500	72.9	29.2	15	56.1	32.4	26.4	0.2541
	1000	73.1	29.2	30	107.2	61.9	51.4	
	1500	73.0	29.2	45	150.7	87.0	76.5	
	2000	73.1	29.2	60	191.6	110.6	101.6	

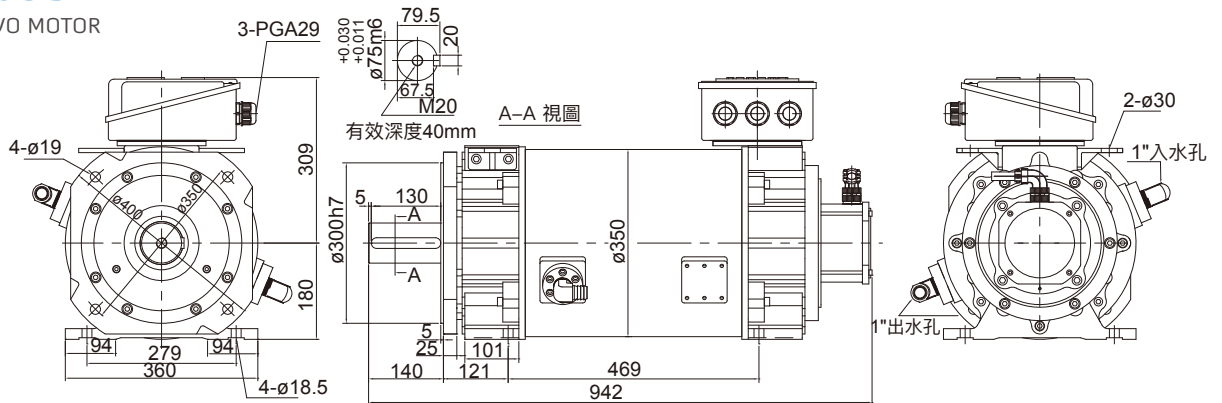
### SW-180SA

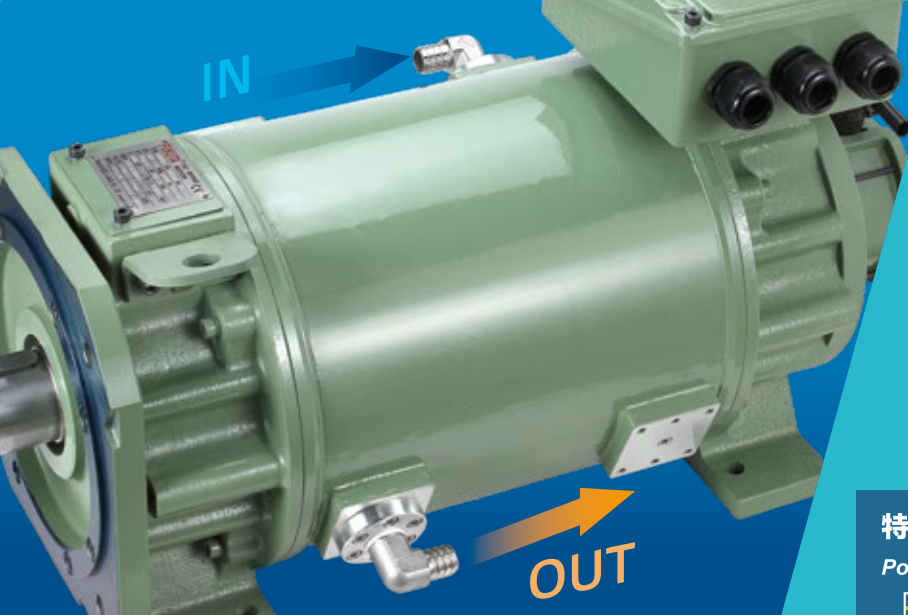
FUKUTA SERVO MOTOR



### SW-180SB

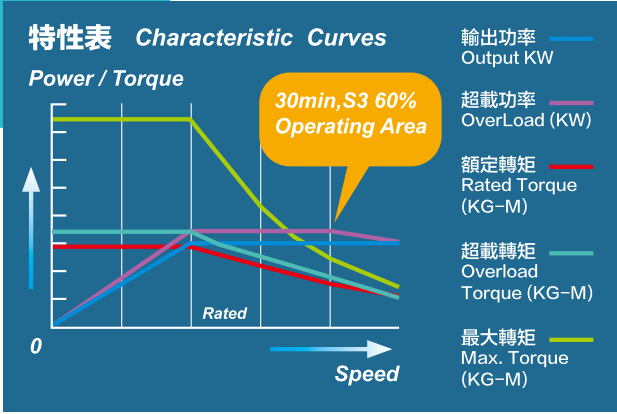
FUKUTA SERVO MOTOR





**馬達冷卻條件 Motor Cooling Conditions:**

冷卻型式 Cooling Type	液冷 Liquid
冷卻介質 Cooling Media	車用水箱冷卻液 Car's radiator coolant
冷卻液流量 Coolant Flow	25-35 LPM
冷卻液壓力 Coolant Pressure	10.8 psi
冷卻液入溫 Coolant Temp.	35° C



# SW-250 S.F.:1.2

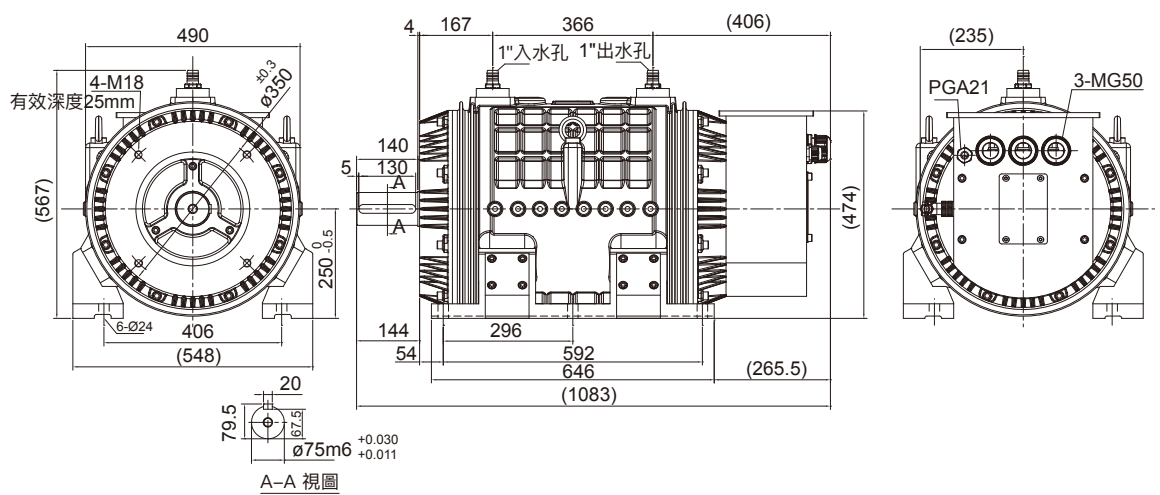
## 液冷式伺服馬達

LIQUID COOLING SERVO MOTOR SW-250MA / SW-250MB / SW-250MC

框號 Fr. No.	額定轉速	最大轉矩	額定轉矩	額定輸出	額定電流		額定頻率	轉動慣量
	Rated Speed	Max. Torque	Rated Torque	Rated Output	Rated Current		Rated Frequency	Rotor Inertial
	RPM	kg-m	kg-m	kw	220V	380V	Hz	Kg-m2
250MA	500	146.0	58.4	30	105.5	60.9	25.6	1.1986
	1000	146.0	58.4	60	195.9	113.1	50.7	
	1500	151.0	60.4	93	310.9	179.5	75.7	
	2000	146.3	58.5	120	393.2	227.0	100.7	
250MB	500	182.6	73.0	38	131.3	75.8	25.6	1.4752
	1000	182.6	73.1	75	256.2	147.9	50.6	
	1500	178.6	71.5	110	347.1	200.4	75.7	
	2000	182.7	73.1	150	481.7	278.1	100.7	
250MC	500	218.9	87.6	45	153.5	88.6	25.6	1.7518
	1000	201.6	80.6	93	320.1	184.8	50.6	
	1500	227.3	90.9	140	453.3	261.7	75.7	
	2000	219.3	87.7	180	577.1	333.2	100.7	

## SW-250MA / SW-250MB / SW-250MC

FUKUTA SERVO MOTOR



[www.fukuta-motor.com.tw](http://www.fukuta-motor.com.tw)

Innovation  
Sincerity  
Credibility



**FUKUTA®**

**富田電機股份有限公司**  
FUKUTA ELEC. & MACH. CO., LTD.

總公司 Headquarter / 豐工廠區

台中市神岡區豐工南路 18 號  
No.18, Fenggoing S. Rd., Shen Kang Dist.,  
Taichung City 429, Taiwan  
Tel: 886-4-2515-9568 Fax: 886-4-2515-9538

豐原廠區 / 中區營業所

台灣台中市神岡區豐洲路 301 巷 2-1 號  
No. 2-1, Ln. 301, Feng Chou Rd., Shen Kang  
Dist., Taichung City, Taiwan, 429  
Tel: 886-4-2528-8833 Fax: 886-4-2528-3979

北區營業所

新北市林口區仁愛路二段 142 號 5 樓  
Tel: 886-2-2601-9559 Fax: 886-2-2601-5119

南區營業所

台南市永康區中正北路 54 號 11 樓之 2  
Tel: 886-6-2437-236 Fax: 886-6-2438-647

**FUKUTA TECHNOLOGY CORP. ( JAPAN OFFICE )**

〒 616-8314 京都市右京區嵯峨野秋街道町 25-2-403  
Tel: 075-882-5656 Fax: 075-882-5656